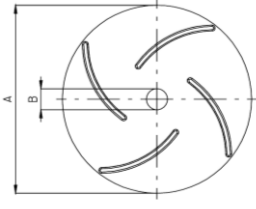

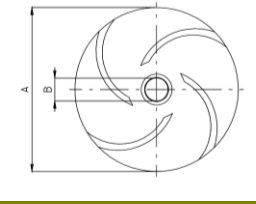

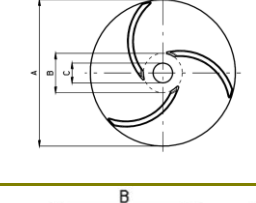

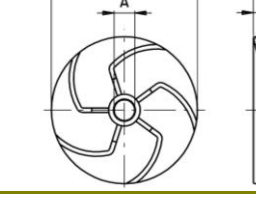

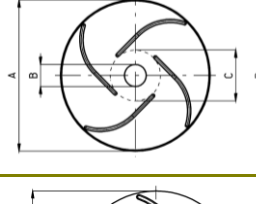

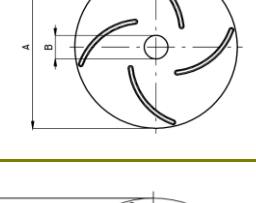

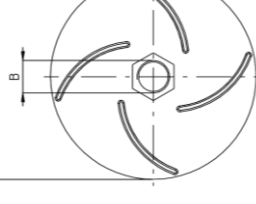

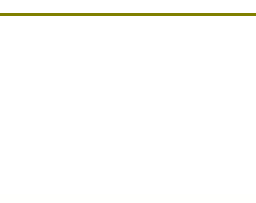
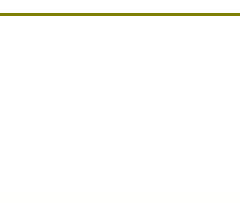


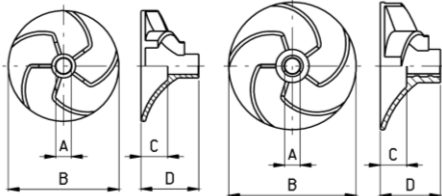

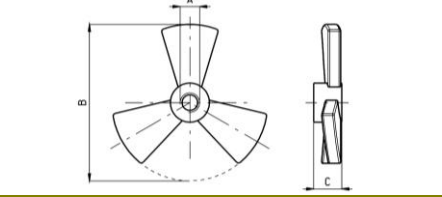

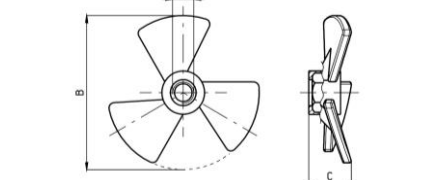

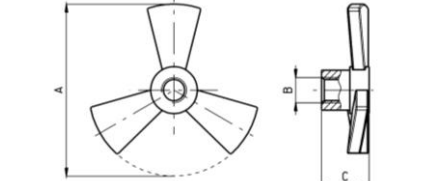



**PARTI DI RICAMBIO GIRANTI ED ELICHE
ROTORS AND PROPELLERS SPARE PARTS**

CODICE CODE	DESCRIZIONE DESCRIPTION		
SG080001002	Girante Dx per Pompa (Pack 50) Right Rotor for Pump (Pack 50) A=D143,8mm B=D16,1mm C=37mm		
SG080001004/A	Girante Dx D.114 (Pack 100) Right Rotor D.114 (Pack 100) A=D112,5mm B=D16,3mm C=34,8mm		
SG080001005	Girante Dx D.140 C/Inserto (Pack 50) Right Rotor D.140 W/Insert (Pack 50) A=D142,5mm B=D20mm C=40mm		
SG080001003	Girante Dx D.150 (Pack 40) Right Rotor D.150 (Pack 40) A=149,5mm B=D43mm C=20,3mm D=11mm E=5,2mm F=16,2mm G=23mm H=39,2mm		
SG080001011	Girante Dx 5 Pale D.114 Foro 19, Right Rotor W/5 Blades D.114 H.19,2 (Pack 50) A=19,1mm B=D113mm C=23,5mm D=59,5mm		
SG080001012	Girante Dx 5 Pale D.131 Foro 19,2 Right Rotor W/5 Blades D.131 Hole 19,2 (Pack 50) A=19,1mm B=D130mm C=27,5mm D=65,2mm		
SG080001010	Girante in Elastomero D.140 (Pack 50) Helastomer Rotor D.140 (Pack 50) A=D137mm B=D20mm C=D46mm D=D33mm E=10mm F=5mm G=36mm		
SG080001001	Girante Sx per Pompa (Pack 40) Left Rotor for Pump (Pack 40) A=D139mm B=D20,3mm C=44,2mm		
SG080001001/A	Girante Sx C/Boccola In Ottone (Pack 40) Left Rotor For Pump W/Brass Ins. (Pack 40) A=D137,7mm B=M22 C=44,8mm		
SG080001001/B	Girante Sx In Elastomero C/Bocc.(Pack 40) Left Rotor For Pump In Elastomer (Pack 40) A=D136,4mm B=M22 C=44,5mm		
SG080001006	Girante Sx A Pale Ribassate C/Inserto Left Rotor W/Low Profile Blades W/Insert (Pack 50) A=D136,5mm B=M22 C=38,7mm		

<p>SG080001013</p>	<p>Girante Sx 5 Pale D.114 Foro 16,2 Left Rotor W/5 Blades D.114 Hole 16,2 (Pack 50) A=D16,1mm B=D113mm C=24,5mm D=58,5mm</p>		
<p>SG080001014</p>	<p>Girante Sx 5 Pale D.131 Foro 16,2 Left Rotor W/5 Blades D.131 Hole 16,2 (Pack 50) A=D16,1mm B=D130mm C=26,8mm D=62mm</p>		
<p>SG080002002</p>	<p>Elica Dx per Pompa Right Propeller for Pump A=M12x1,5 B=D95,8mm C=17,2mm</p>		
<p>SG080002003</p>	<p>Elica Dx C/Insero Zincato Right Propeller W/Insert A=M12 B=D86 C=24,7mm</p>		
<p>SG080002001</p>	<p>Elica Sx per Pompa Left Propeller for Pump A=D95mm B=M14x1,5 C=26,4mm</p>	